

Keenan & Meier Shutter & Damper Product Catalog

Your Airflow Control Specialists



Keenan & Meier
Backdraft Dampers
www.kmdampers.com

sales@trianglefans.com • 501-982-7558



TRIANGLE
ENGINEERING

Table of Contents

| | |
|--------------------|------|
| ➤ Series 3000 | pg.3 |
| ➤ Series 3100 | pg.4 |
| ➤ Series 3200 | pg.5 |
| ➤ Series 3500 | pg.6 |
| ➤ Damper Positions | pg.7 |



Keenan & Meier
Backdraft Dampers
www.kmdampers.com

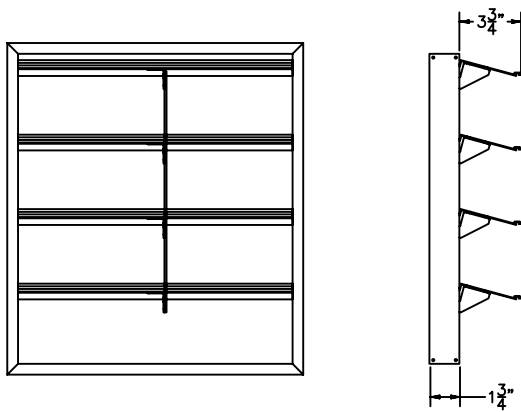


TRIANGLE
ENGINEERING

Series 3000 Flangeless Rectangular Dampers



Keenan and Meier manufactures & delivers high quality aluminum back draft dampers at competitive prices. Our dampers are all engineered to combine strength and durability, providing controlled airflow against drafts. Our dampers are available in several styles to satisfy your engineering specifications.



Back View

Side View

Series 3000 Standard Specifications

| | |
|--------------------------|---|
| Frame Material | Extruded Aluminum |
| Mounting Configuration | Vertical Position A Horizontal Position B (Air Flow Up) Horizontal Position C (Air Flow Down) |
| Frame Style | Non-Flanged Inside Mount |
| Blade Thickness | .020 Roll-Formed Aluminum Mill Finish |
| Blade Seals | Full length vinyl weather strip |
| Min. Size* | 6"x6" |
| Max Single Section Size* | 48"x48" |
| Finish | Mill Finish |
| Construction | 45° mitered corners; riveted linkage 3000-3200 screwed corners |

**Call for special sizes*

sales@trianglefans.com • 501-982-7558

AVAILABLE OPTIONS

- Heavy Duty Blade
.050" Extruded Aluminum Blade
- Conduit Hole Through Blade Line
- Motor Operator
- Adjustable Spring Counter Balance
- Adjustable Weighted Counter Balance
- Bird Screen
- Insect Screen
- Chain Operator
- Full Length Hinge Seal

***Dampers Will be 1/4"
Undercut Unless Stated
"EXACT"***



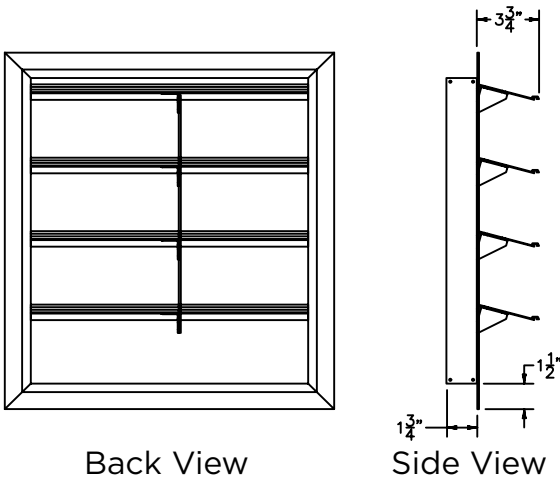
Keenan & Meier
Backdraft Dampers
www.kmdampers.com



TRIANGLE
ENGINEERING

Series 3100 Front Flange Rectangular Dampers

Keenan and Meier manufactures & delivers high quality aluminum back draft dampers at competitive prices. Our dampers are all engineered to combine strength and durability, providing controlled airflow against drafts. Our dampers are available in several styles to satisfy your engineering specifications.



Back View

Side View

Series 3100 Standard Specifications

| | |
|--------------------------|---|
| Frame Material | Extruded Aluminum |
| Mounting Configuration | Vertical Position A Horizontal Position B (Air Flow Up) Horizontal Position C (Air Flow Down) |
| Frame Style | Front Flanged Mount |
| Blade Thickness | .020 Roll-Formed Aluminum Mill Finish |
| Blade Seals | Full length vinyl weather strip |
| Min. Size* | 6"x6" |
| Max Single Section Size* | 48"x48" |
| Finish | Mill Finish |
| Construction | 45° mitered corners; riveted linkage 3000-3200 screwed corners |

**Call for special sizes*

sales@trianglefans.com • 501-982-7558



AVAILABLE OPTIONS

- Heavy Duty Blade
.050" Extruded Aluminum Blade
- Conduit Hole Through Blade Line
- Motor Operator
- Adjustable Spring Counter Balance
- Adjustable Weighted Counter Balance
- Bird Screen
- Insect Screen
- Chain Operator
- Full Length Hinge Seal

***Dampers Will be 1/4"
Undercut Unless Stated
"EXACT"***



Keenan & Meier
Backdraft Dampers
www.kmdampers.com

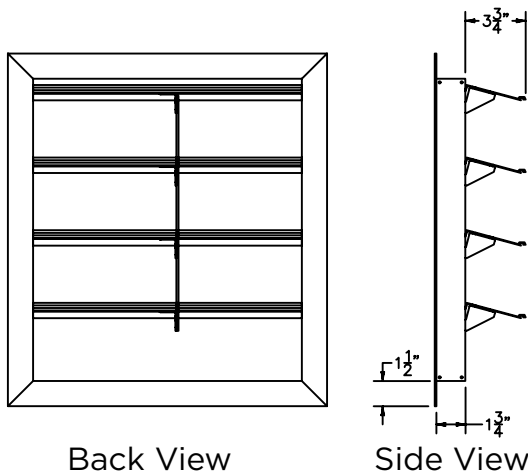


TRIANGLE
ENGINEERING

Series 3200 Rear Flange Rectangular Dampers



Keenan and Meier manufactures & delivers high quality aluminum back draft dampers at competitive prices. Our dampers are all engineered to combine strength and durability, providing controlled airflow against drafts. Our dampers are available in several styles to satisfy your engineering specifications.



Back View

Side View

Series 3200 Standard Specifications

| | |
|--------------------------|---|
| Frame Material | Extruded Aluminum |
| Mounting Configuration | Vertical Position A Horizontal Position B (Air Flow Up) Horizontal Position C (Air Flow Down) |
| Frame Style | Rear Flanged Mount |
| Blade Thickness | .020 Roll-Formed Aluminum Mill Finish |
| Blade Seals | Full length vinyl weather strip |
| Min. Size* | 6"x6" |
| Max Single Section Size* | 48"x48" |
| Finish | Mill Finish |
| Construction | 45° mitered corners; riveted linkage 3000-3200 screwed corners |

**Call for special sizes*

sales@trianglefans.com • 501-982-7558

AVAILABLE OPTIONS

- Heavy Duty Blade
.050" Extruded Aluminum Blade
- Conduit Hole Through Blade Line
- Motor Operator
- Adjustable Spring Counter Balance
- Adjustable Weighted Counter Balance
- Bird Screen
- Insect Screen
- Chain Operator
- Full Length Hinge Seal

***Dampers Will be 1/4"
Undercut Unless Stated
"EXACT"***



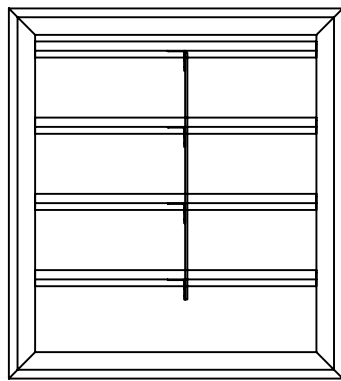
Keenan & Meier
Backdraft Dampers
www.kmdampers.com



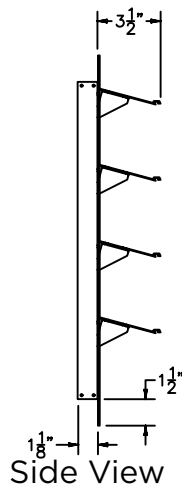
TRIANGLE
ENGINEERING

Series 3500 Front Flange Rectangular Dampers

Keenan and Meier manufactures & delivers high quality aluminum back draft dampers at competitive prices. Our dampers are all engineered to combine strength and durability, providing controlled airflow against drafts. Our dampers are available in several styles to satisfy your engineering specifications.



Back View



Side View



AVAILABLE OPTIONS

- Adjustable Spring Counter Balance
- Bird Screen
- Insect Screen
- Chain Operator
- Fixed Louvre

Dampers Will be 1/4" Undercut Unless Stated "EXACT"

| Series 3500 Standard Specifications | |
|-------------------------------------|---|
| Frame Material | Extruded Aluminum |
| Mounting Configuration | Vertical Position A Horizontal Position B (Air Flow Up) Horizontal Position C (Air Flow Down) |
| Frame Style | Front Flanged Mount |
| Blade Thickness | .020 Roll-Formed Aluminum Mill Finish |
| Blade Seals | Full length Vinyl weather strip |
| Min. Size* | 6"x6" |
| Max Size* | 36"x36" |
| Finish | Mill Finish |
| Construction | 45° mitered corners; riveted linkage 3300, 3400, 3500 staked corners |

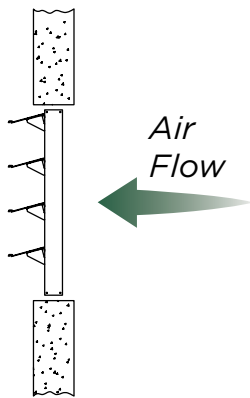
***Call for special sizes**

sales@trianglefans.com • 501-982-7558

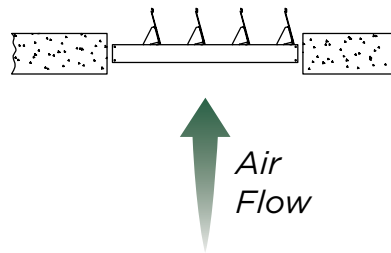


Damper Positions

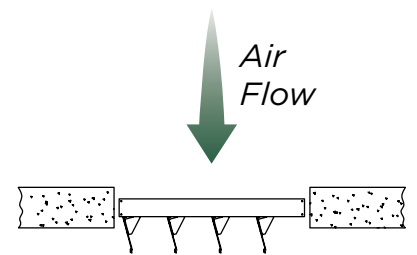
Series 3000 Flangeless Rectangular Dampers



Position A

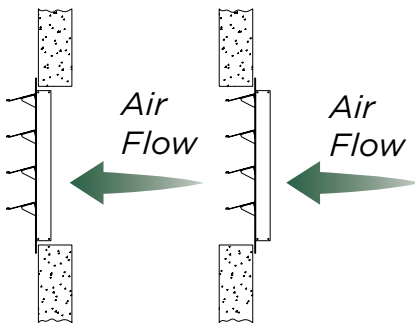


Position B

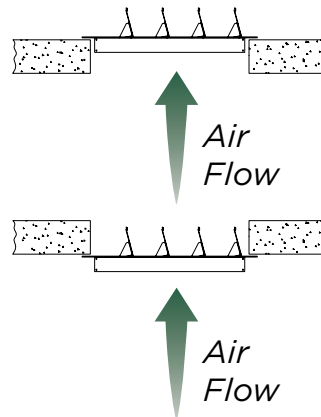


Position C

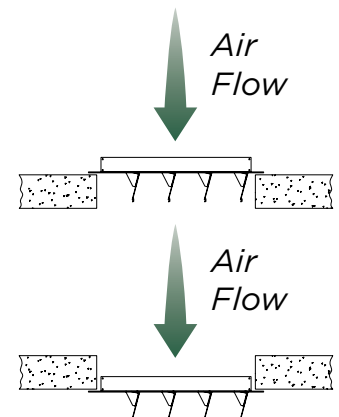
Series 3100 Front Flange Rectangular Dampers



Position A



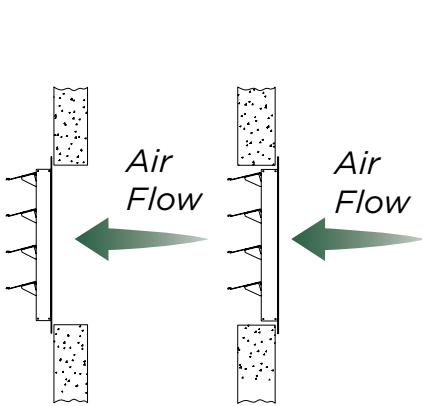
Position B



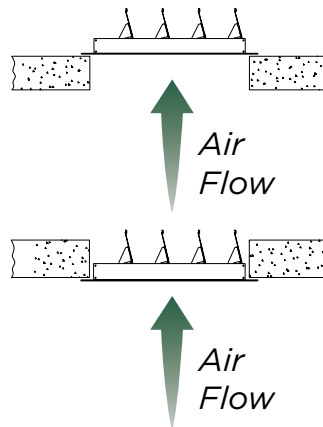
Position C

Damper Positions

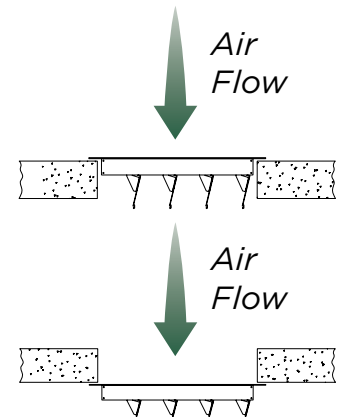
Series 3200 Rear Flange Rectangular Dampers



Position A

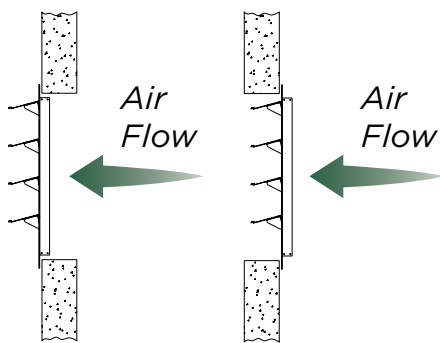


Position B

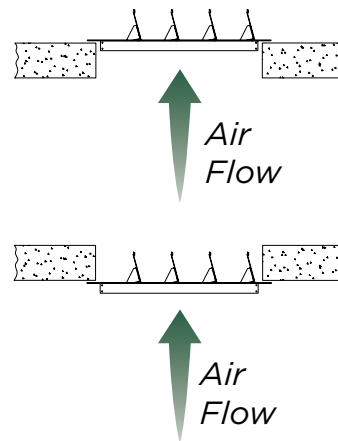


Position C

Series 3500 Front Flange Rectangular Dampers



Position A



Position B